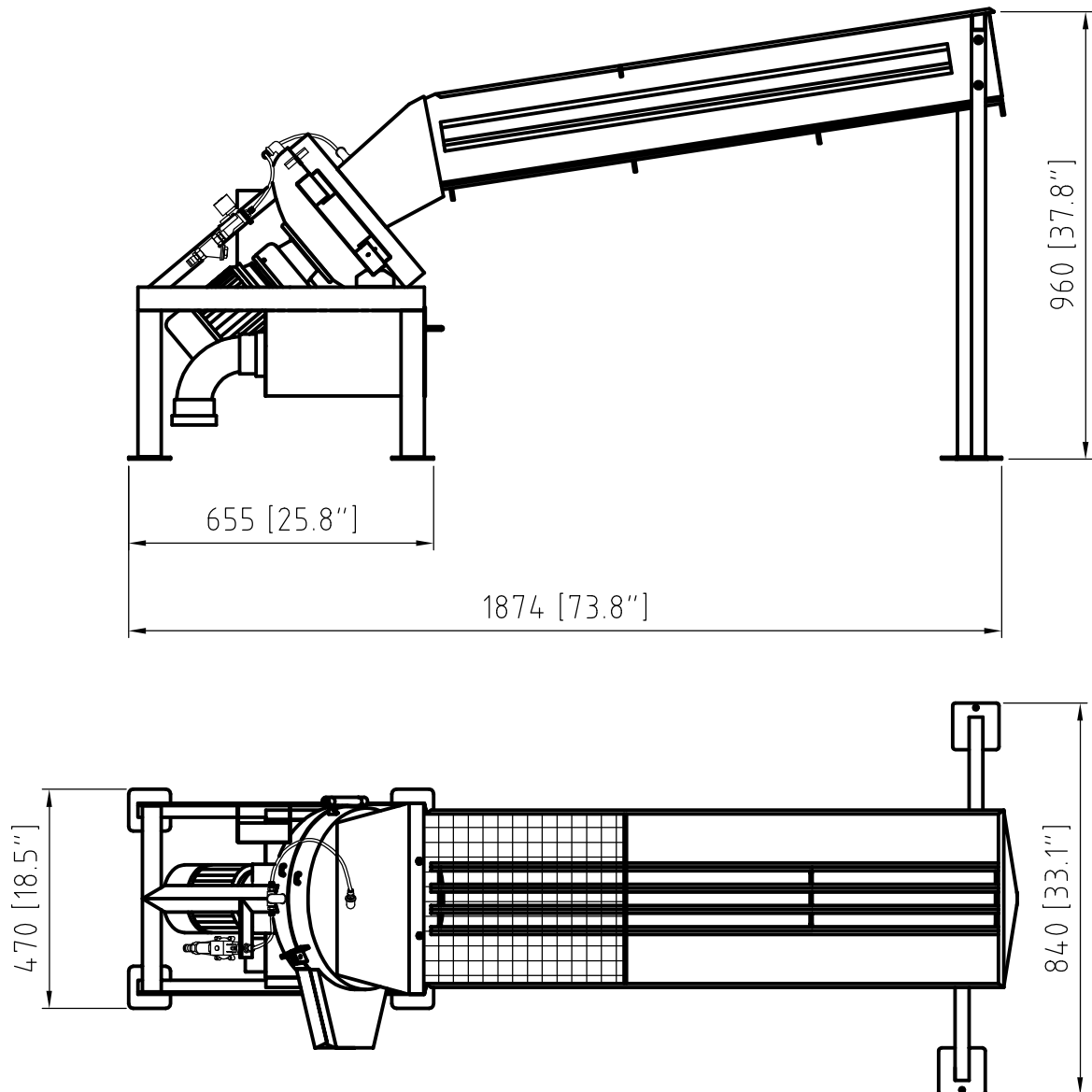


# RANGE SERVANT®

<http://www.rangeservant.com>

## BALL WASHER BT-1300



HOPPER CAPACITY	1000 BALLS
WASHING CAPACITY	200 BALLS/MIN
MOTOR	0.55 KW
VOLTAGE	220 V, 50 HZ
PLUMBING CONNECTION	R 1/2"
WATER CONSUMPTION	4 L/MIN
WATER PREASURE	1.96 - 12 BAR