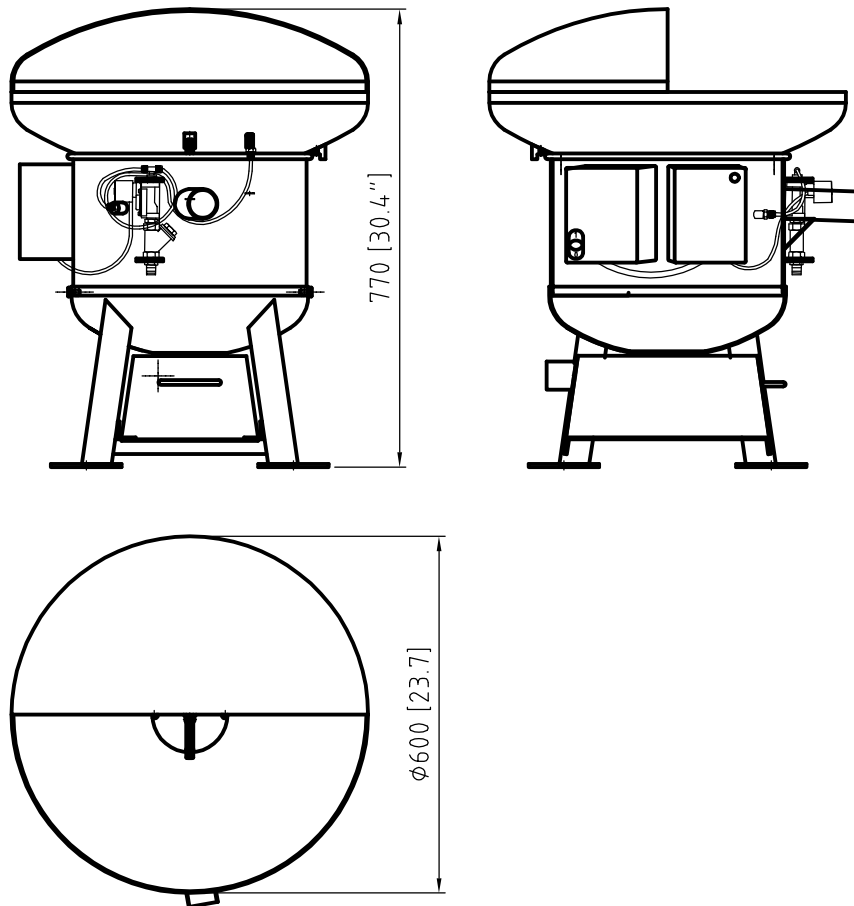


RANGE SERVANT®

<http://www.rangeservant.com>

BALL WASHER 1200



HOPPER CAPACITY	400 BALLS
WASHING CAPACITY	200 BALLS/MIN
MOTOR	24 V
VOLTAGE	230 V, 50 HZ
PLUMBING CONNECTION	R 1/2"
WATER CONSUMPTION	4 L/MIN
WATER PRESSURE	1,96 - 12 BAR