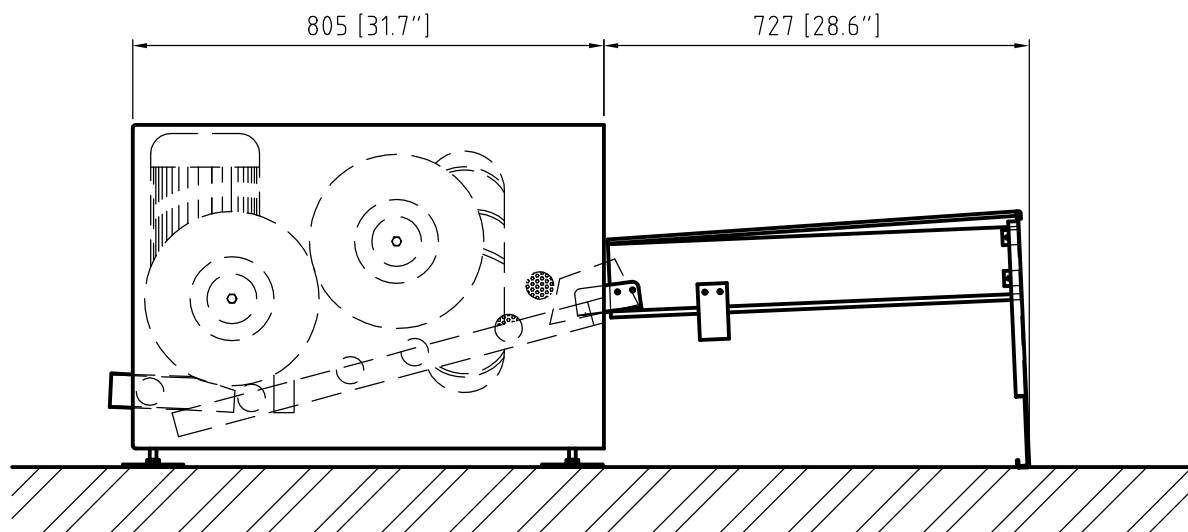
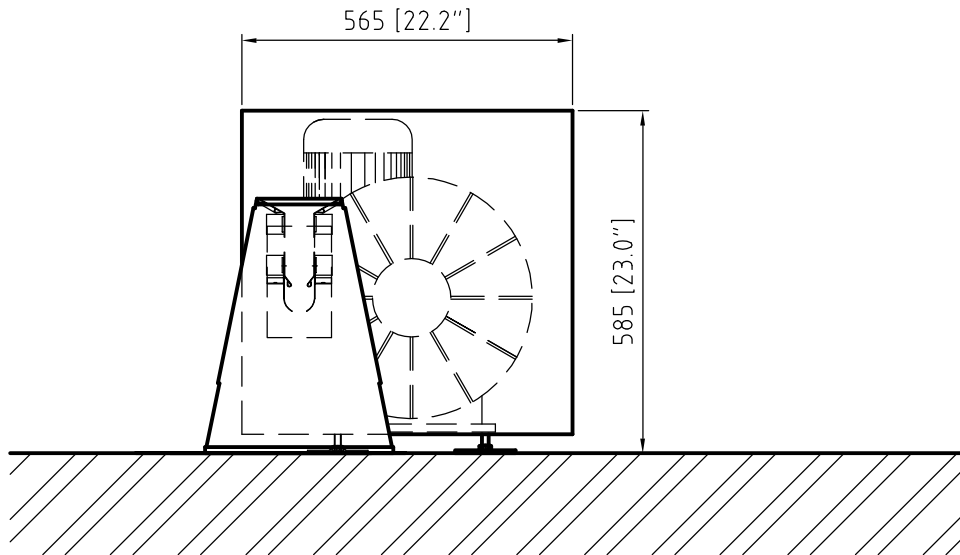


RANGE SERVANT®

<http://www.rangeservant.com>

RS-BLOWFILL



MOTOR	1.5 KW	2.2 KW	3.0 KW
TRANSP. CAPACITY	400 BALLS/MIN	400 BALLS/MIN	400 BALLS/MIN
TRANSP. DISTANCE	25 M	70 M	100 M
TRANSP. HEIGHT	4 M	8 M	10 M
ELECTRICAL DATA, TURBINE	3 - 50Hz	3 - 50Hz	3 - 50Hz
ELECTRICAL DATA, MOTOR	400V / 3,4 A Y	400V / 4,6 A Y	400V / 6,5 A Y
WEIGHT	104 KG	111 KG	117 KG
MEASURE LXWXH	805X565X585 MM	805X565X585 MM	805X565X585 MM
MAX. FLUX	210 m ³ /h	210 m ³ /h	350 m ³ /h